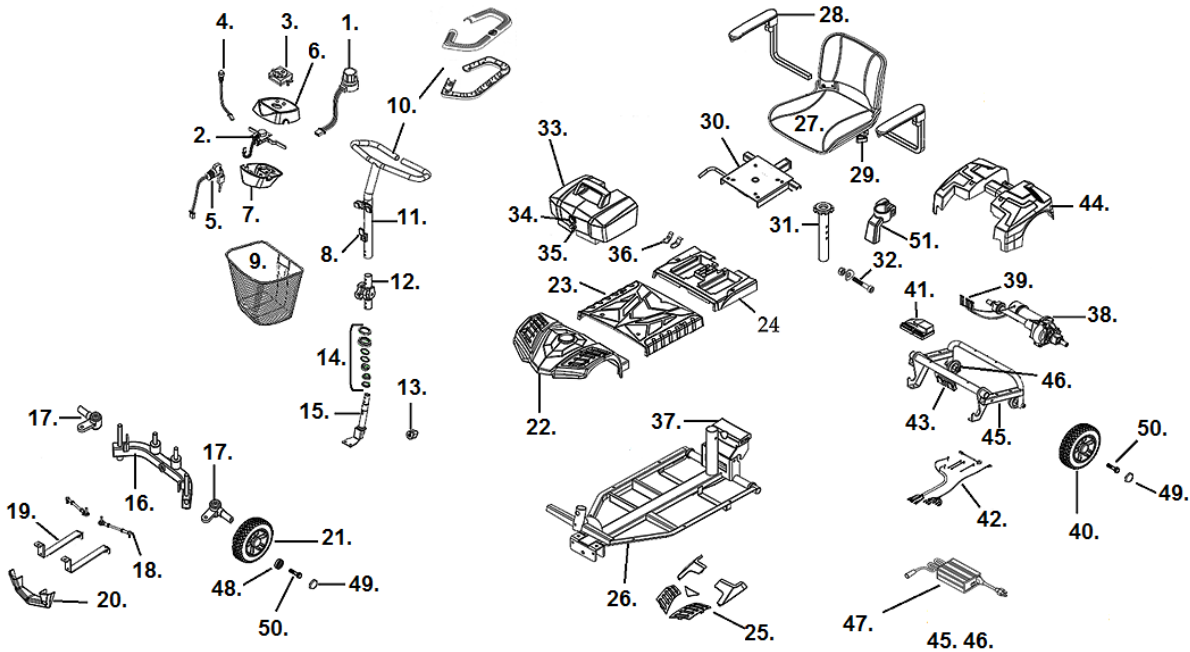


## SCOUT 4



- |  |  |
|--|--|
| <p><b>1. Speed Dial- BC31001</b><br/>Speed Dial Knob- LRM412103-11</p> <p><b>2. Throttle Assembly Old **</b><br/>Throttle Assembly New- S12-069-00300<br/>** Stock is gone use new style.</p> <p><b>3. Battery Gauge (4 LEDs)- SC31004</b><br/>Battery Gauge (8 LEDs)- C11-076-00100 *<br/>* After Serial # VP035868</p> <p><b>4. Horn Button- SC31034</b></p> <p><b>5. Key Switch Assembly- BC31006</b><br/>Key- BCKEY</p> <p><b>6. Upper Tiller Cover- SC31008</b></p> <p><b>7. Lower Tiller Cover- SC31009</b></p> <p><b>8. Basket Bracket- BC35051</b></p> <p><b>9. Basket- S35003-P</b></p> <p><b>10. Handgrip Foam- SC31002</b><br/>Handgrip Plastic- SC31054</p> <p><b>11. Tiller- SC31001</b></p> <p><b>12. Tiller Swivel Assembly- SC31010</b></p> <p><b>13. Tiller Lock- C08-069-01000</b></p> <p><b>14. Tiller Bearing Set- BC31021</b></p> <p><b>15. "L" Steering Stem- SC31016</b></p> <p><b>16. Steering Fork Assembly- SC31015</b></p> <p><b>17. Steering Axle (left or right)- SC31021</b></p> <p><b>18. Connecting Rod- BC350103</b></p> <p><b>19. Bumper Bracket- SC31022</b></p> <p><b>20. Front Bumper- SC31028</b></p> <p><b>21. Front Wheel Black- SC31017</b><br/>Deluxe Front Wheel- SC31017-D</p> <p><b>22. Front Shroud- SC31013</b></p> <p><b>23. Footrest Shroud- SC31024</b></p> <p><b>24. Battery Box Shroud- SC31027</b></p> <p><b>25. Red Decoration- SC31029</b><br/>Deluxe Red Decoration- SC31029-D<br/>Blue Decoration- SC31030<br/>Deluxe Blue Decoration- SC31030-D</p> <p><b>26. Front Frame- SC31040</b></p> <p><b>27. Black Seat- SC35045</b><br/>Deluxe Two Tone Seat- SC31035<br/>Deluxe Back Cover- SC31035-BC<br/>Deluxe Seat Cover- SC31035-SC</p> | <p><b>28. Left Armrest- BC35040L</b><br/>Right Armrest- BC35040R<br/>Arm Pad- BC953014</p> <p><b>29. Armrest Knob- S31052</b></p> <p><b>30. Seat Plate- SC31023</b></p> <p><b>31. Seat Post- SC31018 ****</b></p> <p><b>32. Seat Post Bolt- C07-071-00101</b></p> <p><b>33. Battery Box &amp; Batteries(12V 12ah)- SC31007</b><br/>Battery Box Only(12V 12ah)- SC31006<br/>Battery 12V 12ah (2 needed)- LRM402109<br/>Battery Box &amp; Batteries(12V 20ah)- SC31050<br/>Battery Box Only(12V 20ah)- SC31051<br/>Battery 12V 20ah (2 needed)- LRM412123</p> <p><b>34. Charger Socket &amp; Harness- SC31031</b></p> <p><b>35. 20 Amp Circuit Breaker- BC20ACB</b></p> <p><b>36. Battery Contact- C12-060-00300</b></p> <p><b>37. Disconnect Handle Assembly- SC31019</b></p> <p><b>38. Motor/Brake/Transaxle Assembly- SC31053</b><br/>Transaxle- BC350112<br/>Motor- SC31036<br/>Electro Magnetic Brake- SC31037</p> <p><b>39. Motor Wire Harness- SC31020</b></p> <p><b>40. Rear Wheel Black- SC31003</b><br/>Deluxe Rear Wheel- SC31003-D</p> <p><b>41. Controller Curtis- SC31052-4</b><br/>Controller Dynamic- C10-069-00100-4 ***</p> <p><b>42. Wire Harness Complete-</b><br/>Curtis- SC31026<br/>Dynamic- DST-018 ***</p> <p><b>43. Connection Block- SC31033</b></p> <p><b>44. Rear Shroud- SC31011</b></p> <p><b>45. Rear Frame- SC31012</b></p> <p><b>46. Anti-Tipper Wheel- S31026</b></p> <p><b>47. Charger- LRM302111</b></p> <p><b>48. Front Wheel Bearing- S350100-B</b></p> <p><b>49. Hub Cap- SC31025</b></p> <p><b>50. Axle Bolt Assembly- SC31049</b></p> <p><b>51. Battery Box Hold Down- SC31047</b></p> |
|--|--|

\*\*\* After Serial # VP142824

\*\*\*\* No longer available in chrome once stock is gone